

TUNG-SOL

CATHODE RAY

COATED UNIPOTENTIAL CATHODE

HEATER

6.3 VOLTS 0.6 AMP.

AC OR DC

ANY MOUNTING POSITION

RECTANGULAR GLASS BULB

SMALL SHELL DUODECAL 5 PIN BASE

THE 20CP4 IS A MAGNETIC DEFLECTION AND MAGNETIC FOCUS, DIRECT-VIEW PICTURE TUBE INTENDED FOR USE IN TELEVISION RECEIVERS. A SPACE SAVING RECTANGULAR BULB PROVIDES FOR A PICTURE 12 3/4" X 17". A GREY NEUTRAL DENSITY FACEPLATE PROVIDES FOR INCREASED PICTURE CONTRAST AND DETAIL UNDER HIGH AMBIENT LIGHT CONDITIONS. THE ELECTRON GUN IS DESIGNED TO BE USED WITH AN EXTERNAL SINGLE MAGNET ION-TRAP FOR THE PREVENTION OF ION-SPOT BLEMISH.

DESCRIPTION

FLUORESCENCE AND PHOSPHORESCENCE	WHITE
PERSISTENCE	MEDIUM
DEFLECTING AND FOCUSING METHOD	MAGNETIC
DEFLECTION ANGLE (APPROX.):	
HORIZONTAL	66 DEGREES
DIAGONAL	70 DEGREES
FACEPLATE LIGHT TRANSMISSION (NEUTRAL DENSITY FILTER)	66 PERCENT
ION-TRAP	MAGNETIC
ANODE TERMINAL	RECESSED SMALL CAVITY CAP
RASTER SIZE	17" X 12 3/4"

DIRECT INTERELECTRODE CAPACITANCES - APPROX.

GRID #1 TO ALL OTHER ELECTRODES	6	μf
CATHODE TO ALL OTHER ELECTRODES	5	μf

RATINGS

INTERPRETED ACCORDING TO RMA STANDARD M8-210

HEATER VOLTAGE	6.3	VOLTS
HEATER CURRENT	0.6	AMP.
MAXIMUM ANODE VOLTAGE ^A	18 000	VOLTS
MAXIMUM GRID #2 VOLTAGE	410	VOLTS
MAXIMUM GRID #1 VOLTAGE:		
NEGATIVE BIAS VOLTAGE	125	VOLTS
POSITIVE BIAS VOLTAGE	0	VOLTS
POSITIVE PEAK VOLTAGE	2	VOLTS
PEAK HEATER-CATHODE VOLTAGE:		
HEATER NEGATIVE WITH RESPECT TO CATHODE:		
DURING EQUIPMENT WARM-UP PERIOD	410	VOLTS
NOT EXCEEDING 15 SECONDS	150	VOLTS
AFTER EQUIPMENT WARM-UP PERIOD	150	VOLTS
HEATER POSITIVE WITH RESPECT TO CATHODE	150	VOLTS
MAXIMUM GRID #1 CIRCUIT RESISTANCE	1.5	MEG OHMS

PLATE
2563
JAN. 1
1951

CONTINUED ON FOLLOWING PAGE

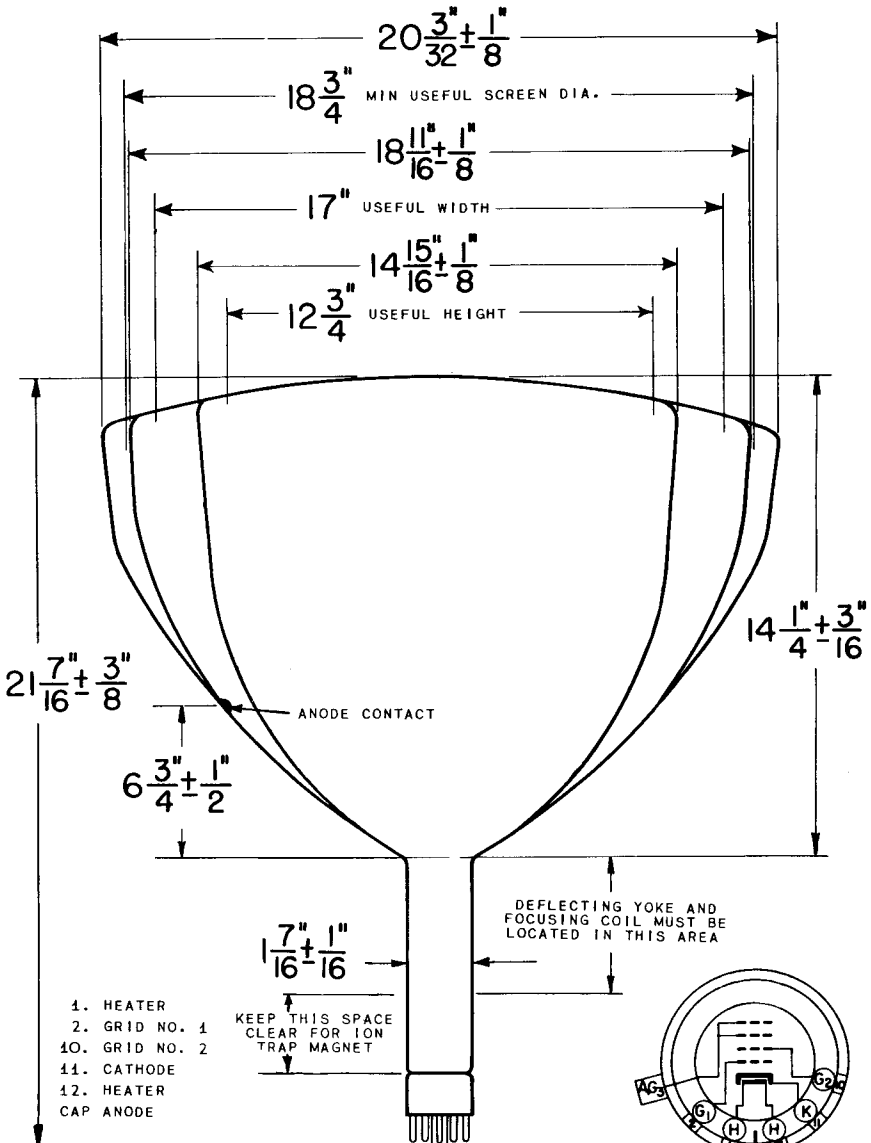
TUNG-SOL

CONTINUED FROM PRECEDING PAGE

TYPICAL OPERATING CONDITIONS AND CHARACTERISTICS

ANODE VOLTAGE	12 000	VOLTS
GRID #2 VOLTAGE	300	VOLTS
GRID #1 VOLTAGE (VISUAL EXTINGUISH OF UNDEFLECTED FOCUSED SPOT)	-33 TO -77	VOLTS
FOCUSING COIL CURRENT (APPROX.)	95 MA. ± 20%	MA.
ION-TRAP MAGNET CURRENT (APPROX.) ^B	75 MA. ± 50%	MA.

^BSINGLE FIELD ION-TRAP MAGNET.



- 1. HEATER
- 2. GRID NO. 1
- 10. GRID NO. 2
- 11. CATHODE
- 12. HEATER
- CAP ANODE

PLATE
2564
JAN. 1
1951